

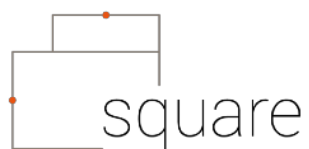
Content

- Installation guide MountingSet Inwall (p. 2-6)
- Measurements and cutting Dimensions Wall Installation (p. 7-8)
- square with LAN network connection (p. 9)
- Installation guide Mounting Set Inwall zero (p. 10-13)
- Installation guide Furniture (p. 14-16)
- Measurements and cutting Dimensions Wall Installation (p. 17-19)

Installation guide

Inwall, square

viveroo 



viveroo GmbH
Wewelsburger Straße 4
33154 Salzkotten
Germany
www.viveroo.de



REV20180926

Safety information

!ATTENTION

Please read the assembly instructions included carefully before installing the MountingSet. Please also read the square user manual completely before using your square. Please follow the instructions and recommendations to ensure proper use and maximum enjoyment.

Safety information

square and all square mounting sets are intended for use in enclosed and dry living spaces.

The following conditions must be provided:

- Operating temperature between 0° C (32° F) and 35° C (95° F).
- Relative humidity (during use): 20 % to 90 %, non-condensing.
- No external environmental influences such as oil, chemicals, salt, extensive dust, etc.

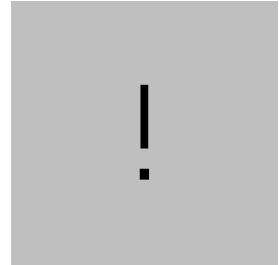
The maximum altitude is 2.000m.

Installation, service or repairs, if necessary, may only be performed by authorized persons.

The installer is responsible for selecting the proper mounting location and safe installation of square. This also applies to installation in movable parts, such as doors. The installer is responsible for performing and documenting all necessary safety tests.

All electrical installation work may only be conducted by authorized, trained electricians, always adhering to the general rules and regulations applying to electrical installation. Wire end sleeves and ferrules must be used for flexible cables.

Should it become apparent that safe operation of square is not assured, then square must immediately be taken out of service and secured against potential misuse. If the square functions are limited, blocked or disabled, if an unusual odor is present, if noises such as scratching are audible or damage is visible, safe operation can no longer be guaranteed.



Technical Data

- Product contents**
- Installation guide Inwall
 - square flush mounting box
 - Power supply (IN 100-240 Vac, 50-60 Hz, OUT 12 Vdc) with pre-installed square power cable (including usage guidelines and installation guide)
 - Fastening screw packet for attaching square

Compatability Electrical operation of square is permitted only in connection with square Mounting Set and power supply and cable included in the Mounting Set. Operation of square without a Mounting Set will lead to immediate loss of guarantee and warranty.

Measurements in mm	Design cover	364 x 294
	Depth square	36
	Opening in the wall for flush-mounted box	344 x 271
	Installation depth flush-mounted box	76
Weight in kg	square	3,8
Electrical connections	voltage (Power supply is provided in MountingSet)	100-240 Vac 50 - 60 Hz
	Power consumption	18 Watt

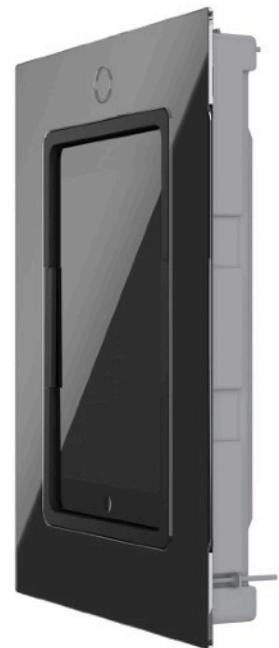
Removal from power supply square may be removed from the power supply via the circuit breaker in the respective rooms.

Circuit Breaker 16A (EU) , 20A (USA/Canada)

Overvoltage category OVC II

wire cross-section The permitted conductive cross-section is between 0.75mm² and 2.5mm².

*) Technical changes and mistakes are excepted.
iPad is a registered trademark of Apple Inc.



Installation guide

Step 1 square can be installed either in portrait or landscape format, it is your choice. Make an angular opening in the wall.

Measurements for portrait: 271mm length, 344mm height.

Measurements for landscape: 344mm length, 271mm length.

The depth should be approximately 75mm. In this guide we show the installation for mounting in landscape.

Step 2 There is a hole for the power cable already cut in the flush mount box. Pull 20-25 cm of the cable through the opening.

Step 3 Then insert the flush mount box into the opening in the wall. Fix and secure the box with the four pre-installed screws in the corners.

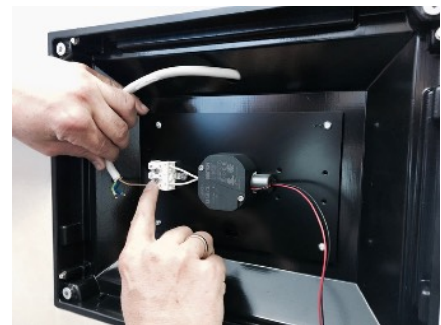
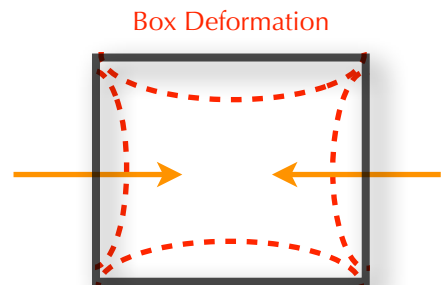
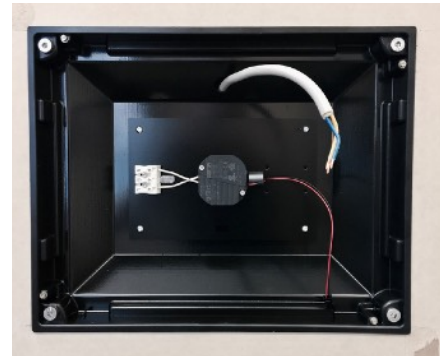
! IMPORTANT: During installation, pay attention that the flush mount box is fastened parallel to the surface and is not shifted or offset in the wall.

! IMPORTANT: It is important that the flush mounted box is not deformed in any way. Do not use any foaming installation materials that may put pressure on the box and deform it.

!! WARNING: Make sure that the power supply cord is unplugged during the entire installation and cannot be turned on accidentally.

Step 4 Plug the power cord into the power supply. Plug the power cord into the 3-pin device connecting terminal (N, L, PE).

Step 5 A protective conductor is mounted on the back of the square. Connect this protective earth cable to the free PE terminal of the device connection terminal.

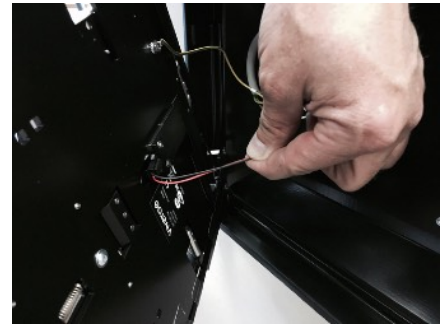


Installation guide

Step 6

Now connect the plug of the connection cable from the power supply unit to the plug-in contact on the back of the square.

! ATTENTION: When inserting the square, make sure that no cables are squeezed or that they are under tensile stress.



Step 7

Now you can place the square into the opening. The four fastening points for the square are easily identifiable. Use the screws included in the MountingSet and fasten the square.

Please note: We recommend to fasten only two screws first. Then you can adjust the square to its final position and then fasten the last screws.

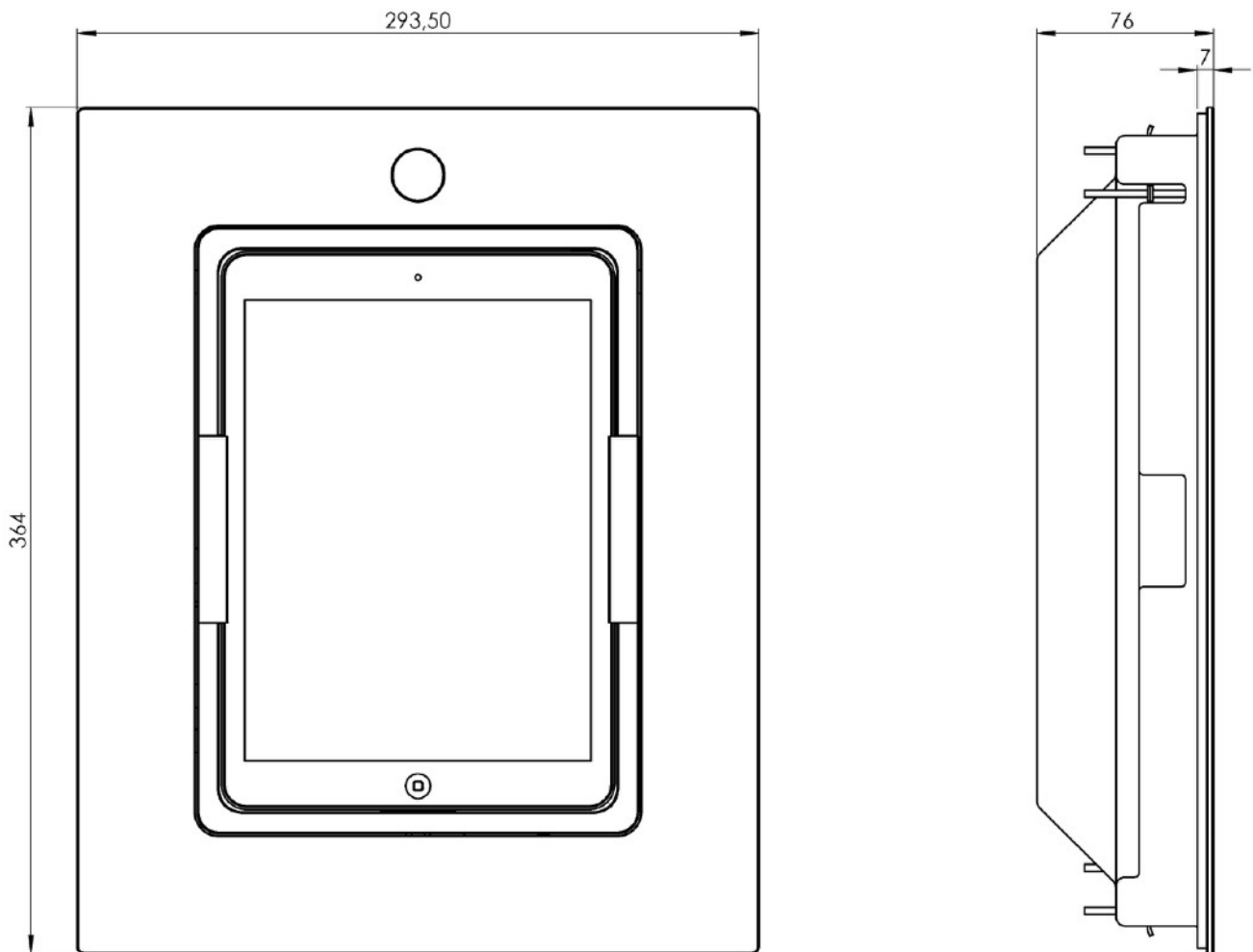
! ATTENTION: After completing installation, please make sure that the loop is solidly secured to the wall as well as secure electrical connection/function.



Technical Details

square

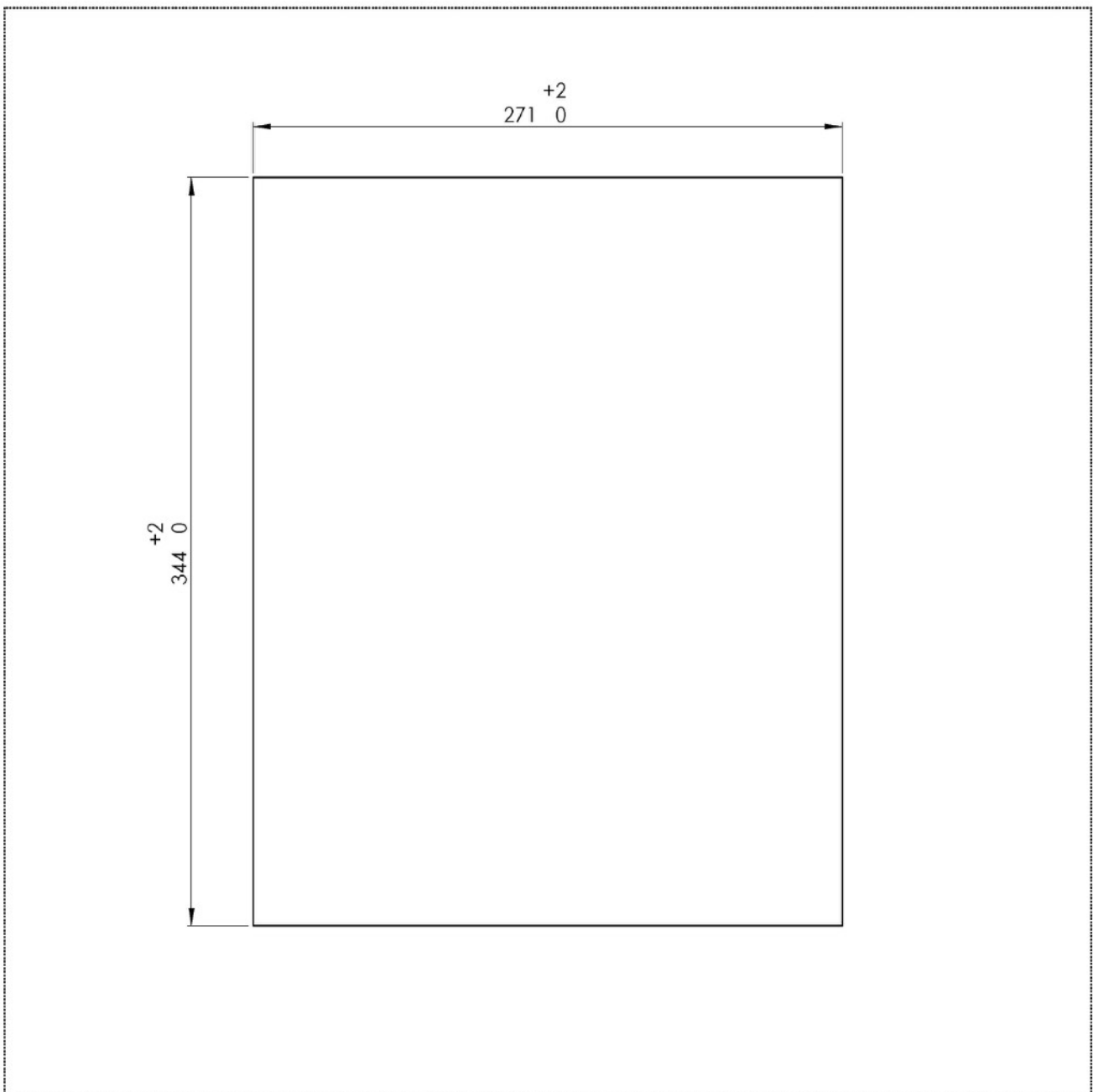
Measurements for installation in drywall, stone or solid wall (with wallbox), in mm



Technical Details

square

Cutting Measurements for installation in drywall, stone or solid wall (with wallbox), in mm



square with network connection



It is possible to equip the square with a network interface. This must be ordered in conjunction with the square and can not be retrofitted.

Safety information

Electrical voltage!

Danger to life and fire due to electrical voltage of 230V possible.

- Work on the 230V network may only be carried out by qualified electricians.
- Before mounting / dismounting, disconnect mains voltage
- Lightning to USB Camera Adapter (pre-installed)
- USB to Ethernet Adapter
- Lightning to USB-A Kabel
- CAT-Crimp Connector (RJ45 Male)

For installation and operation, a mounting kit (220201, 220222 or 210300) is required.

Delivery contents square with LAN connection

MountingSet Inwall 220201

Connect the terminals of the power supply to the live conductors (L, N) and the protective conductor.

! ATTENTION: Ensure that the main voltage cable is de-energized throughout the entire period of installation and that accidental switching on is prevented.

Connect the USB Ethernet Adapter to the USB socket on the backside of the square. Then attach the CAT Crimp Connector (RJ45 Male) to the CAT cable. Please see the enclosed installation instructions. Now connect the CAT cable incl. RJ45 Male connector to the USB Ethernet Adapter.

Finally, connect the Lightning to USB-A cable to the power supply.

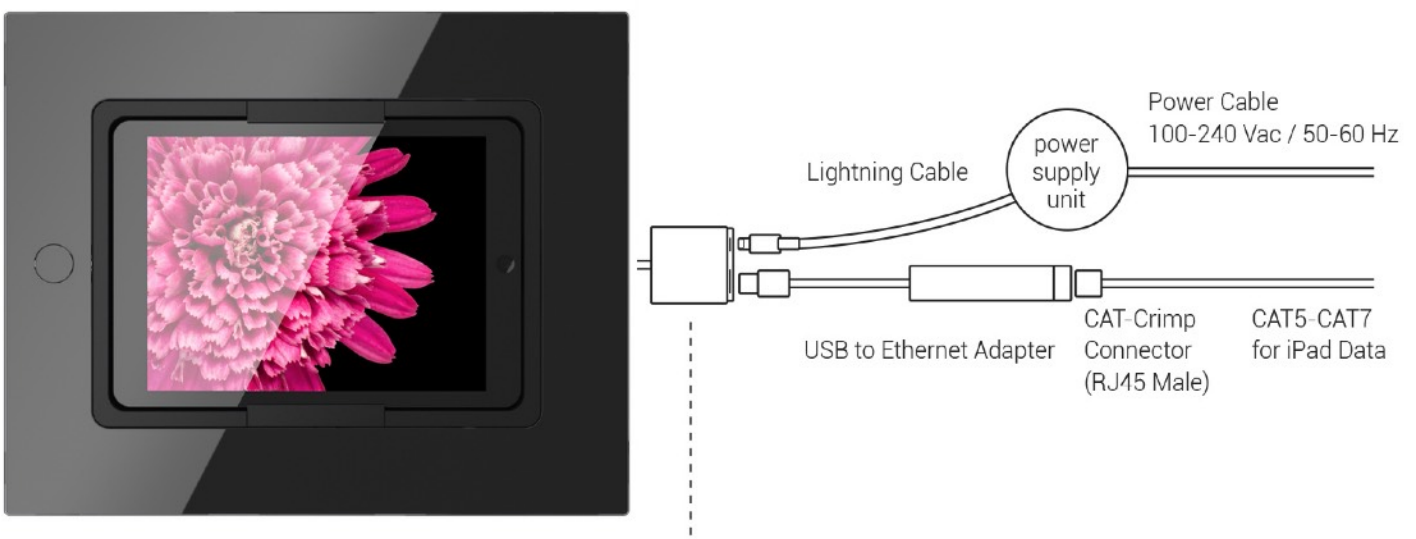
MountingSet Inwall zero 220222

Includes MontageSet Inwall 220201. Assembly of additional zero components is shown on pages 10-13.

MountingSet Furniture 210301

Connect the USB Ethernet Adapter to the USB socket on the backside of the square. Then attach the CAT Crimp Connector (RJ45 Male) to the CAT cable. Please see the enclosed installation instructions. Now connect the CAT cable incl. RJ45 Male connector to the USB Ethernet Adapter.

Finally, connect the Lightning to USB-A cable to the power supply.



MountingSet Inwall zero square



Incl. MountingSet Inwall + flush mount frame with reinforcing grid

Safety information

! Important:

Before installing this MountingSet please read the following information. Follow the instructions and recommendations described.

General conditions:

The MountingSet Inwall zero is an extension of MountingSet Inwall. Accordingly, it is assumed that both products are built in combination.

The following embedding materials are approved for the attachment and incorporation of MountingSet Inwall zero: mineral plaster, polymer modified adhesive and reinforcement cement.

The MountingSystem is designed for installation in dry and closed living spaces.

The following environmental conditions are ensured:

Ambient temperature 0 °C to 35 °C

No environmental influences, such as oil, chemicals, salt and comparable

No direct sunlight

The MountingSet must be processed and installed only by authorized personnel. This includes the proper installation of electrical connections. The responsibility for proper installation and safe installation of the mounting system is only with the processor. Basically, the user has to make and certify all safety checks.

Delivery contents

- Installation guide, flush-plastered MountingSet Inwall zero
- Flush mount frame with reinforcing grid

Installation in hollow walls (plasterboard)

Make an angular opening in the wall: Measurements for portrait: 271mm length, 344mm height. Measurements for landscape: 344mm length, 271mm length. The depth should be approximately 76mm. Place the power cable.

Clean the surface of the gypsum board thoroughly and fix the flush mount frame on the gypsum fibreboard - pay attention that the flush mount box is fastened parallel to the surface and is not shifted or offset in the wall.

! Important: The gypsum fibreboard must provide a very smooth, surface adhesion for the flush mount frame, stress- and distortion-free!

Incorporate the flush mount frame with approved embedding material (see above). To do this, prepare the surface according to VOB, Section C, DIN 18363, DIN 18350 or BFS notices. Then apply the embedding material evenly to the gypsum fibreboard according to the manufacturer's instructions. Embed the reinforcement fabric of the frame in the wet coating without any creases. After that apply embedding material again evenly, so that the grid is no longer visible.

Depending on the design ideas the flush mount frame can be plastered up to the upper edge.

After the embedding material has perfectly dried out, please clean the inner surfaces of the frame and insert the wall case / flush mount box. Please follow the installation guide for the MountingSet Inwall.

! Attention: Install the flush box so deep that it rests firmly on the inner ring of the frame.

! Attention: Screw the wall case / flush mount box so tight that it stabilizes the frame.

MountingSet Inwall zero square



Incl. MountingSet Inwall + flush mount frame with reinforcing grid
REV20180809

Installation in brick walls and concrete walls (shell)

Make an angular opening in the wall: Measurements for portrait: 271mm length, 344mm height. Measurements for landscape: 344mm length, 271mm length. The depth should be approximately 76mm. Place the power cable.

Apply subsoil / substrate plaster to the wall and fix the flush mount frame - pay attention that the flush mount box is fastened parallel to the surface and is not shifted or offset in the wall.

! Important: The subsoil / substrate plaster must provide a very smooth, surface adhesion for the flush mount frame, stress- and distortion-free!

Incorporate the flush mount frame with approved embedding material (see above). To do this, prepare the surface according to VOB, Section C, DIN 18363, DIN 18350 or BFS notices. Then apply the embedding material evenly to the gypsum fibreboard according to the manufacturer's instructions. Embed the reinforcement fabric of the frame in the wet coating without any creases. After that apply embedding material again evenly, so that the grid is no longer visible. Depending on the design ideas the flush mount frame can be plastered up to the upper edge.

After the embedding material has perfectly dried out, please clean the inner surfaces of the frame. Insert the wall case / flush mount box and fix it with fastening material such as plaster or mortar or cement – Please follow the installation guide for the MountingSet Inwall.

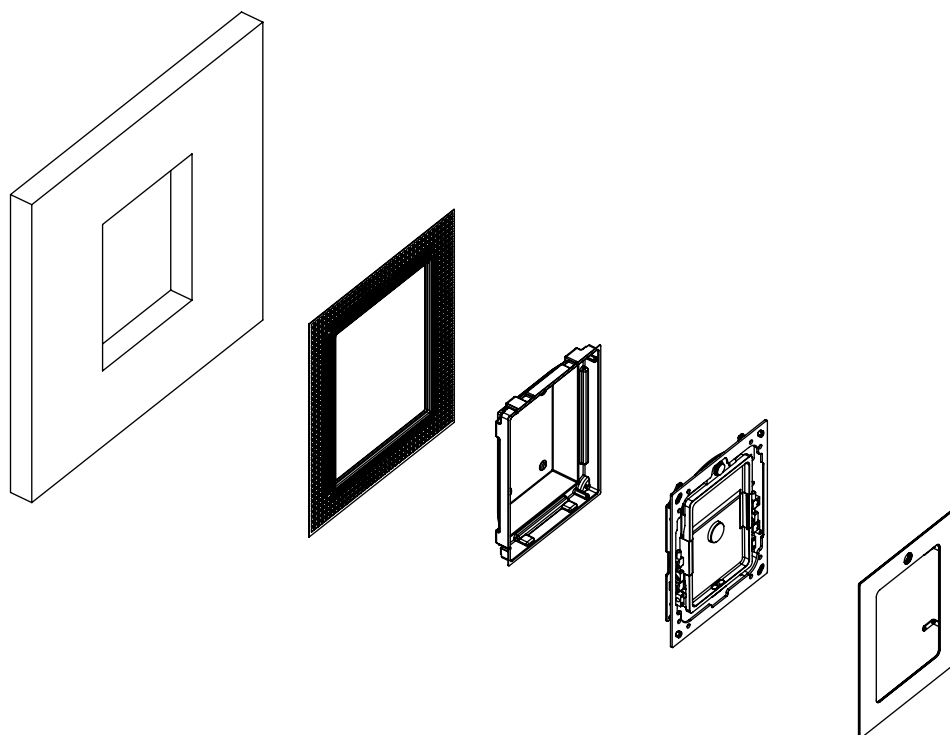
! Attention: Install the flush box so deep that it rests firmly on the inner ring of the frame.

! Attention: Screw the wall case / flush mount box so tight that it stabilizes the frame.

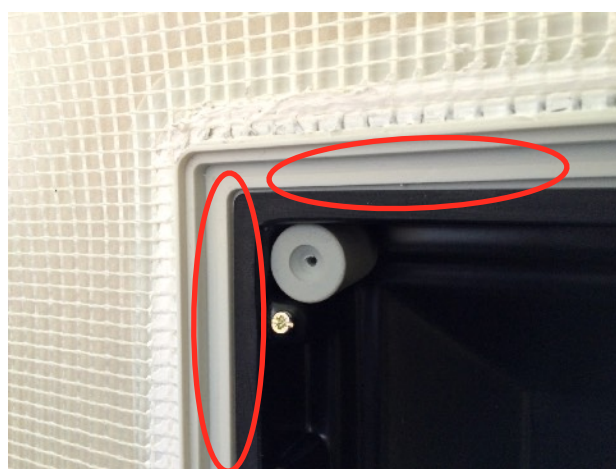
Images for illustration

Information:

Follow sequence: 1. Flush mount frame , 2. flush mount box , 3. square

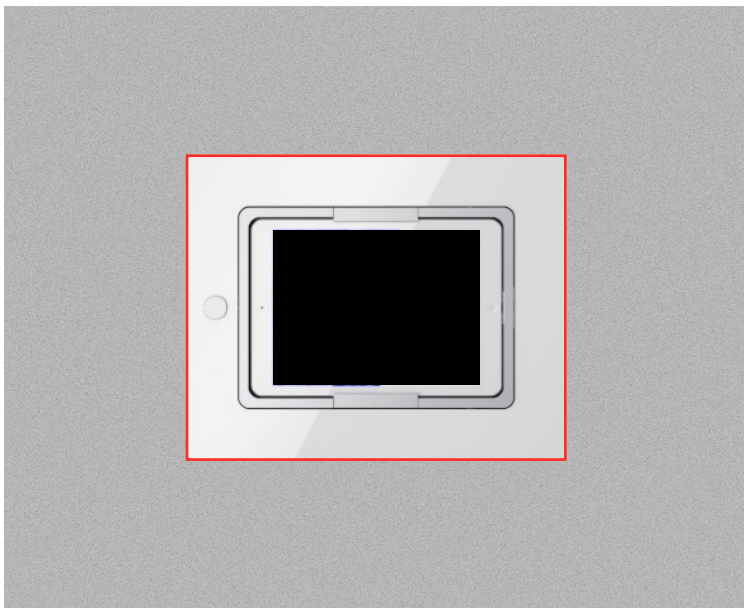


Install the flush box so deep that it rests firmly on the inner ring of the frame.

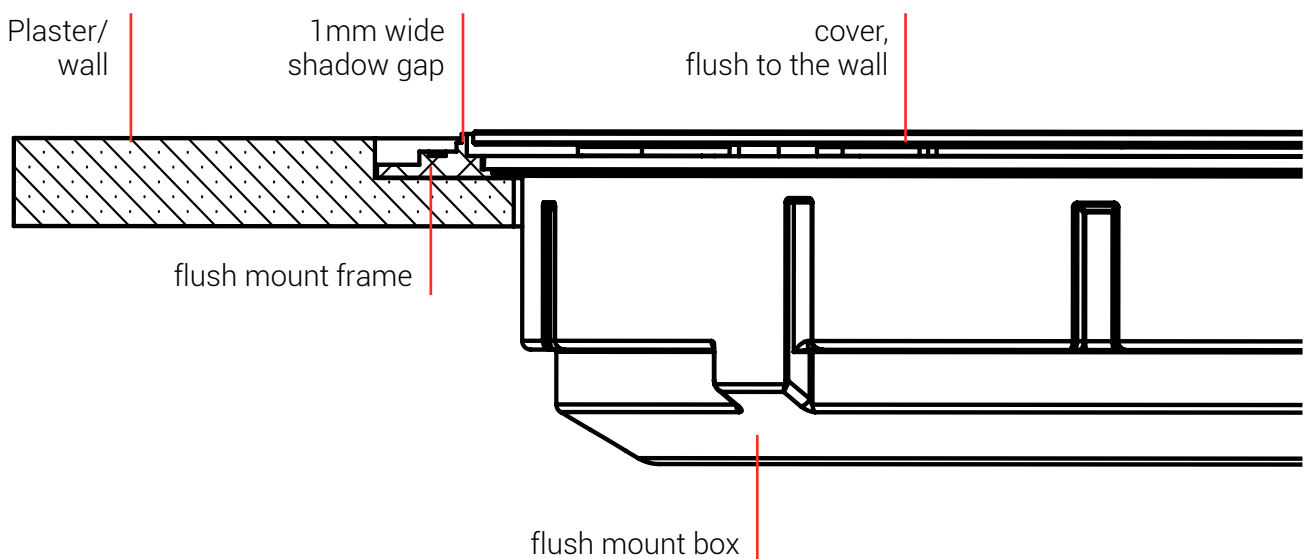


Information

When installed, the square forms a flat surface with the wall. There is a 1mm wide shadow gap (red) around the square.



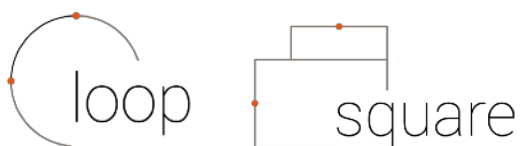
Sectional drawing



Installation guide



MountingSet Furniture for loop and square



viveroo GmbH
Wewelsburger Straße 4
33154 Salzkotten
Germany
www.viveroo.de



Safety Information

!ATTENTION

Please read the assembly instructions included carefully before installing the MountingSet. Please also read the loop user manual completely before using your loop. Please follow the instructions and recommendations to ensure proper use and maximum enjoyment.

Safety information

loop and all loop mounting sets are intended for use in enclosed and dry living spaces.

The following conditions must be provided:

- Operating temperature between 0° C (32° F) and 35° C (95° F).
- Relative humidity (during use): 20 % to 90 %, non-condensing.
- No external environmental influences such as oil, chemicals, salt, extensive dust, etc.

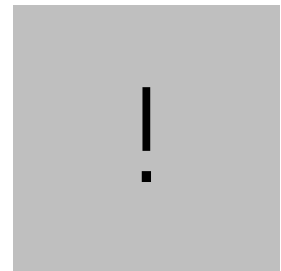
The maximum altitude is 2.000m.

Installation, service or repairs, if necessary, may only be performed by authorized persons.

The installer is responsible for selecting the proper mounting location and safe installation of loop. This also applies to installation in movable parts, such as doors. The installer is responsible for performing and documenting all necessary safety tests.

All electrical installation work may only be conducted by authorized, trained electricians, always adhering to the general rules and regulations applying to electrical installation. Wire end sleeves and ferrules must be used for flexible cables.

Should it become apparent that safe operation of loop is not assured, then loop must immediately be taken out of service and secured against potential misuse. If the loop functions are limited, blocked or disabled, if an unusual odor is present, if noises such as scratching are audible or damage is visible, safe operation can no longer be guaranteed.



Technical data

Product contents

- Installation guide MountingSet Furniture
- Power supply (IN 200-240 Vac, 50 Hz, OUT 12 Vdc) especially for furniture mounting, incl. separate installation guide
- 1 m cable (to connect power supply to loop or square)
- 1 m power cord (to connect power supply to wall socket)
- screw set: 4 pieces 3x25mm and 4 pieces 3,5x25mm

Compatibility

Electrical operation of loop is permitted only in connection with loop Mounting Set and power supply and cable included in the Mounting Set. Operation of loop without a Mounting Set will lead to immediate loss of guarantee and warranty.

Electrical connections

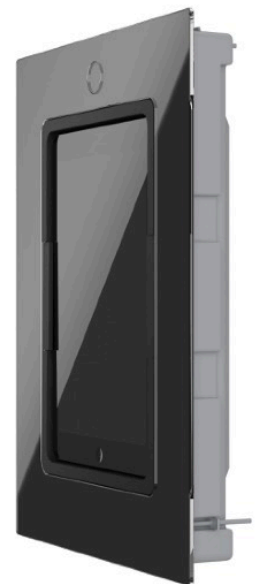
Netzspannung 200-240 Vac
50 Hz

Power consumption. 15 Watt

!! Attention: Please also the manual provided with the power supply.

Removal from power supply

loop may be removed from the power supply via the circuit breaker in the respective rooms.

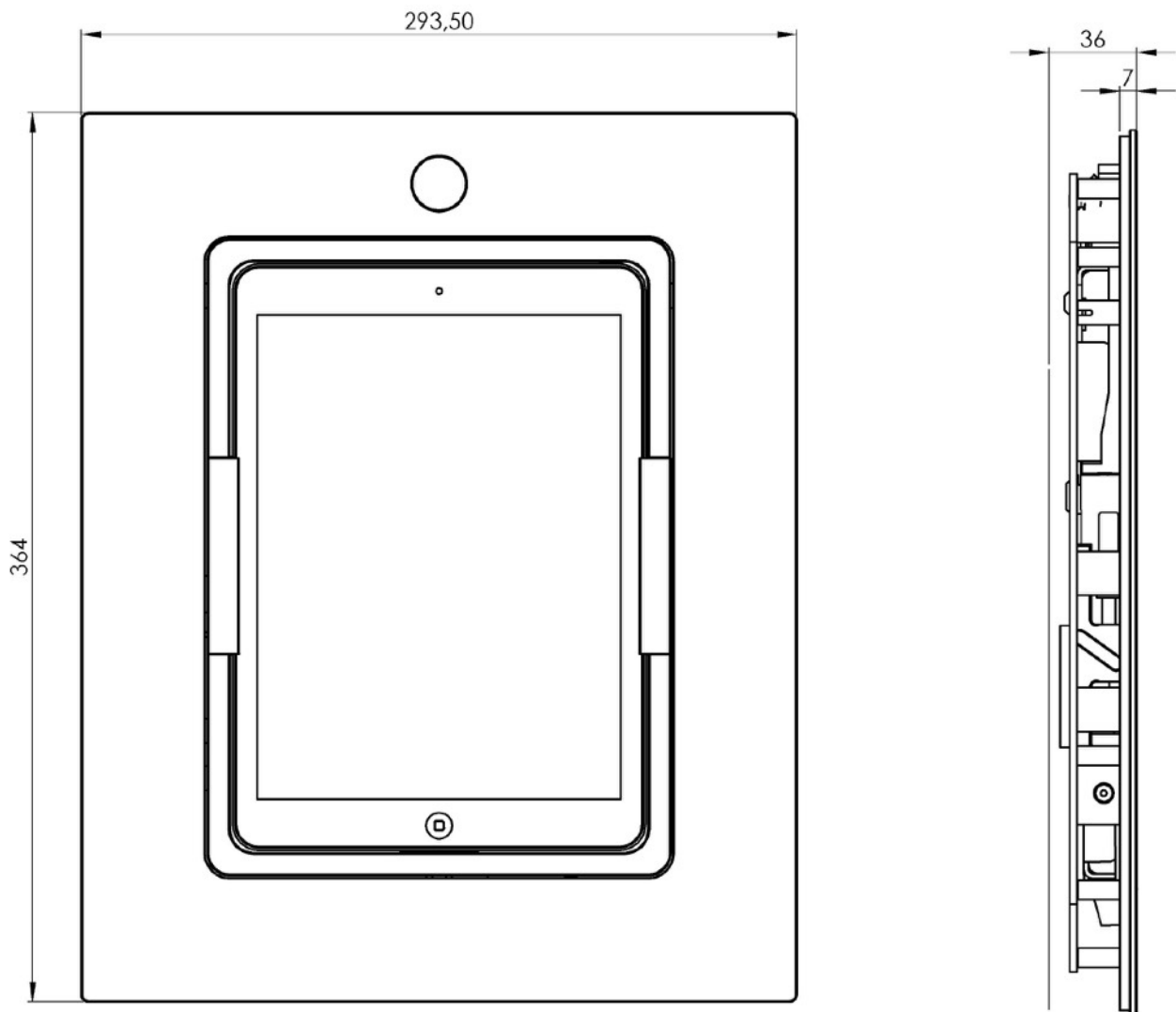


*) Technical changes and mistakes are excepted.
iPad is a registered trademark of Apple Inc.

Technical Details

square

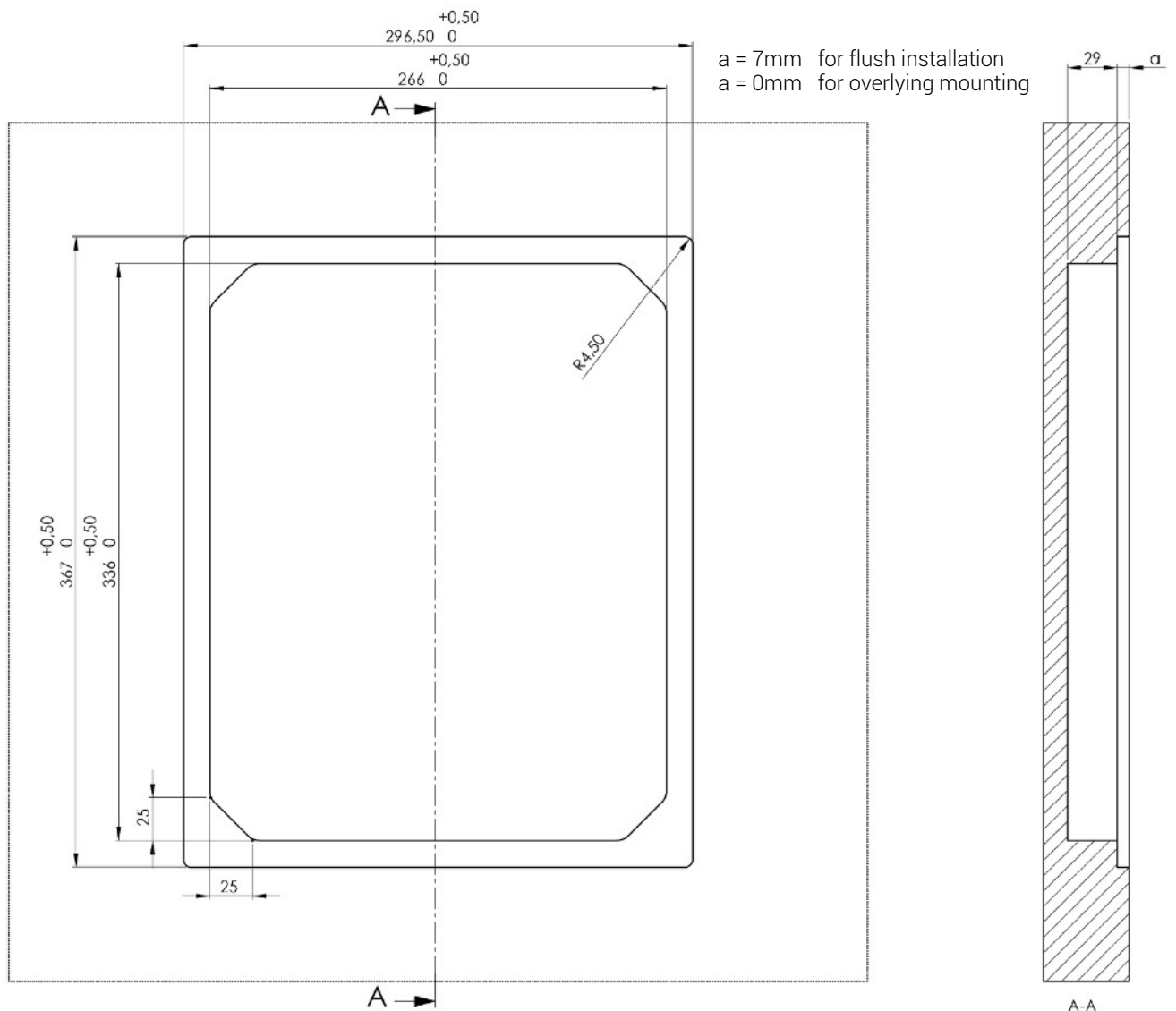
Measurements for installation in furniture, cabinets, wooden materials, in mm



Technical Details

square

Cutting Measurements, in mm



Do it right!

1)
!! Important

for loop



2)
!! Important

for loop



for square



After tightening the screws, cover the screw holes by affixing the three adhesive dots included!

Use included screws only!

Why? The screw head must be extremely flat.

Special screws of assorted diameters are included. The choice is yours.

For square use the 4 inner screw holes.

For loop use the 3 outer screw holes.